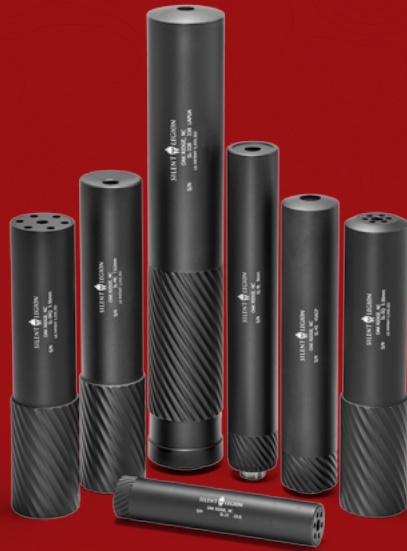


SILENT LEGION™

**.45 ACP
OWNER'S MANUAL**



SILENT LEGION™

SILENTLEGION.COM

SILENT LEGION LLC, OAK RIDGE, NC 27310
INFO@SILENTLEGION.COM · 336-202-9013

This sound suppressor manual contains technical data controlled under the International Traffic in arm Regulations (ITAR). Export and/or release of technical data to foreign persons, entities, or governments, requires prior authorization from the United States Department of State. Title 22, CFR, Parts 120-130.

WARNING!

Read the Operation and maintenance manual in its entirety before using suppressor. Failure to follow installation and maintenance instructions detailed in this manual can result in potential for serious injury to the user and damage to the weapon.



Verify Firearm is Unloaded

Visually and physically confirm your firearm is unloaded before attempting or performing any of the procedures in this manual. Failure to ensure the firearm is unloaded could result in unintentional discharge, causing injury or death.



Burn Warning: Allow suppressor to cool to ambient temperature before removal and/or service. The outside surface temperature of this suppressor may exceed 40 C/104 F. Therefore protective gloves should be worn at all times in attaching or detaching the suppressor. Failure to do so may result in severe burns to hands and any other unprotected skin surface.



Pinch Warning: Could be customized to the multi cal (as to changing out) but in attaching or detaching the can for all cans. The point of attachment and detachment is a pinch point and caution should be taken, including wearing protective gloves, to avoid severe injury at this pinch point.



Muzzle Warning: The muzzle of the firearm is different when a suppressor is attached. However, this is still the point where the projectile exits the weapon system and the muzzle should not cover or sweep any area the user is not will to shoot and kill.



Sonic Crack Warning: This suppressor will not protect end-users and those in close proximity from hearing damage when, and if, the projectile crosses the sound barrier. Thus, proper hearing (and eye protection) should be worn at all times.

.45 ACP

We offer several handgun models that deliver slim, lightweight, and amazing sound reduction. This one is the impressive and versatile 45 ACP version.



SILENT
LEGION™



PRODUCT SPECIFICATIONS	Sound Reduction - 30 dB
	Length - 7.6"
	Diameter - 1.38"
	Weight - 10.2 oz
	Materials - Aluminum
	Finish - Hardcoat
Mount - .578"-28*	

INCLUDED	.45 ACP Suppressor
	Replaceable Threaded Piston

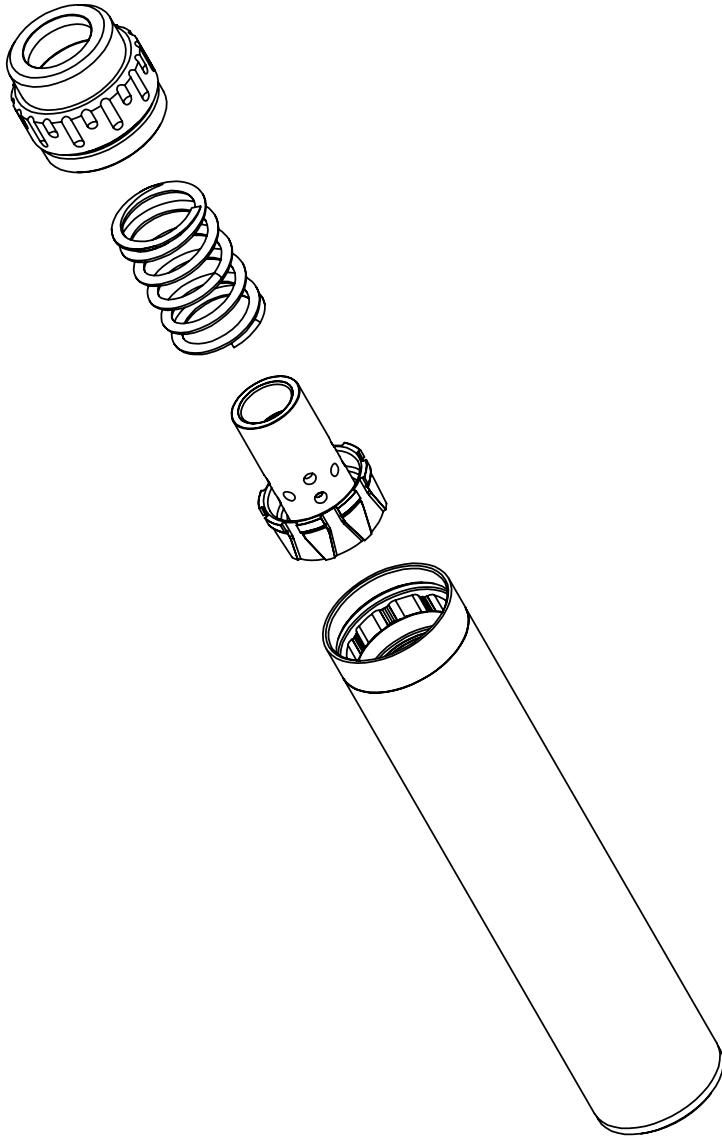
**other threaded pistons available separately*

Specifications are subject to change without notice.

"Export of this sound suppressor and/or sound suppressor manual is strictly prohibited without a valid export license issued by the United States Department of State, Office of Trade Controls, prohibited in the International Trade in Arms Regulation (ITAR), Title 22, CFR, Parts 120-130."

PISTON ASSEMBLY/DISASSEMBLY

Liberal apply Tetra Gun Grease (part #004) or equivalent only on spring assembly and secure retaining nut onto suppressor.



INSTALLING SUPPRESSOR ON BARREL

Make sure to check the bore of the suppressor to confirm that it is free of obstructions.

To Install: Screw the suppressor onto the threads until the spring pressure is felt. Then slowly tighten the unit until you feel it bottom out. The suppressor is now properly seated.

Note: Periodically check attachment during operation to ensure suppressor is properly seated.

WARRANTY INFORMATION

Unconditional Lifetime Warranty. If for any reason you have an issue with a Silent Legion product, we will repair or replace it free of charge. Warranty does not apply if product is altered in any way.

Damaged Suppressor: This or any suppressor may not properly operate and create significant risk of injury or death if damaged or obstructed. Any and all such damage should be reported to an Armorer qualified and approved by Silent Legion, or it should be returned with the RA to Silent Legion.

For more information, contact Silent Legion at: info@silentlegion.com.

MANUFACTURER'S DISCLAIMER

Silent Legion manufactures all suppressors the highest quality and technical standards in the industry. However, improper usage by any end-user by this product may result in serious injury to the user or third parties. Therefore, it the user's responsibility to understand this product and the weapon system used therewith. If you do not understand the instructions in this manual, please contact Silent Legion for further clarification at silentlegion.com. Silent Legion shall have no liability for incidental or consequential damages and under no circumstances be liable for personal injury, death, property damage, environmental damage or economic losses of any type caused by the misuse use of this product or negligence on the part of the user. To the extent allowed by law, all liability from act or omission from improper usage of this suppressor is disclaimed. The warranty and disclaimer in this manual for the suppressor is subject to all laws which may limit these terms. To the extent allowed by law, the purchase of this product places an affirmative duty on any distributor, retailer or user to transmit this manual with the suppressor.

For the latest, most complete version of this manual, please visit: silentlegion.com

SERVICE LOG

Date: _____ Notes: _____

Date: _____ Notes: _____

Date: _____ Notes: _____

Date: _____ Notes: _____

Date: _____ Notes: _____

Date: _____ Notes: _____

Date: _____ Notes: _____

Date: _____ Notes: _____

Date: _____ Notes: _____

Date: _____ Notes: _____